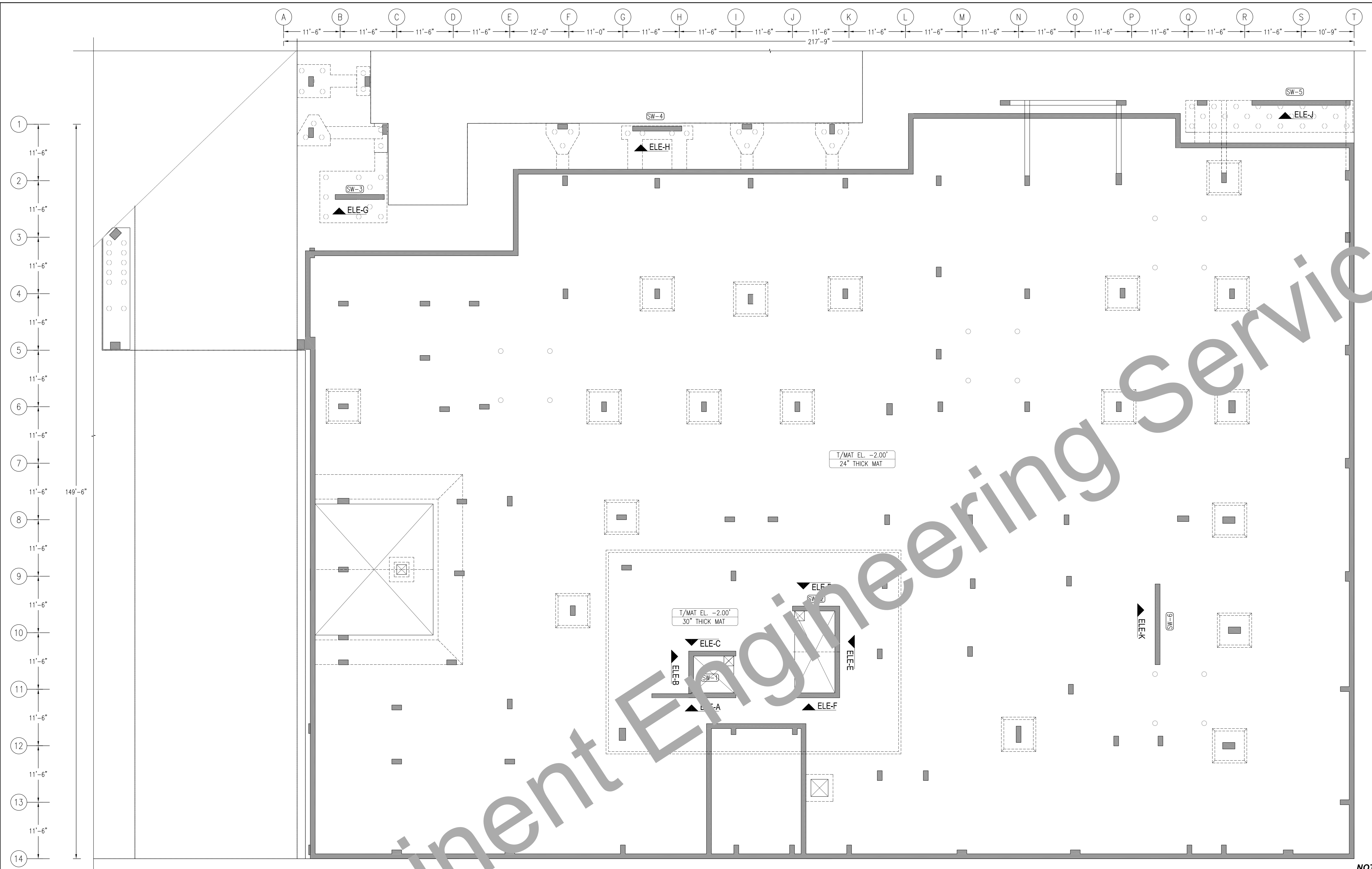


REINFORCING STEEL PLACING DRAWING ONLY USE IN CONJUNCTION WITH CONTRACT DRAWINGS & SPECIFICATIONS. ELEVATIONS & DIMENSIONS SHOWN ON DRAWING ARE FOR DETAILING PURPOSES ONLY AND SHOULD NOT BE USED FOR CONSTRUCTION UNLESS VERIFIED BY ENGINEER OR CONTRACTOR.



Eminent Engineering Services

FOUNDATION TO BULKHEAD SHEAR WALL KEY PLAN
 SCALE: 1/10"=1'-0"
 SDR: FO-002.00, FO-101.00, FO-203.00 & FO-204.00

FOR APPROVAL

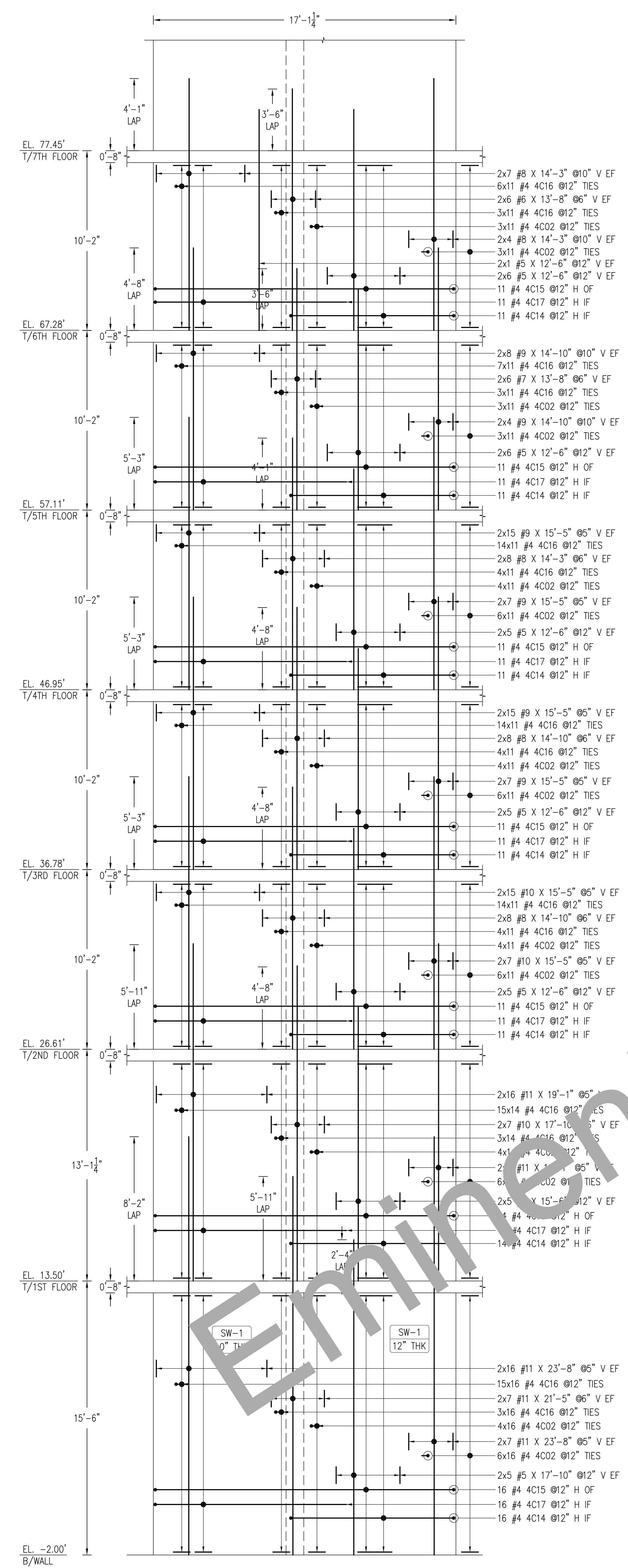
- NOTES:**
1. BOTTOM OF SHEAR WALL LEVEL REFER ELEVATION
 2. TOP OF SHEAR WALL LEVEL REFER ELEVATION
 3. COVER DETAILS:
FOR SHEAR WALL : FACE & SIDES = 1"
 4. STOCK LENGTH USED IS 30'-0"

LABEL LEGENDS

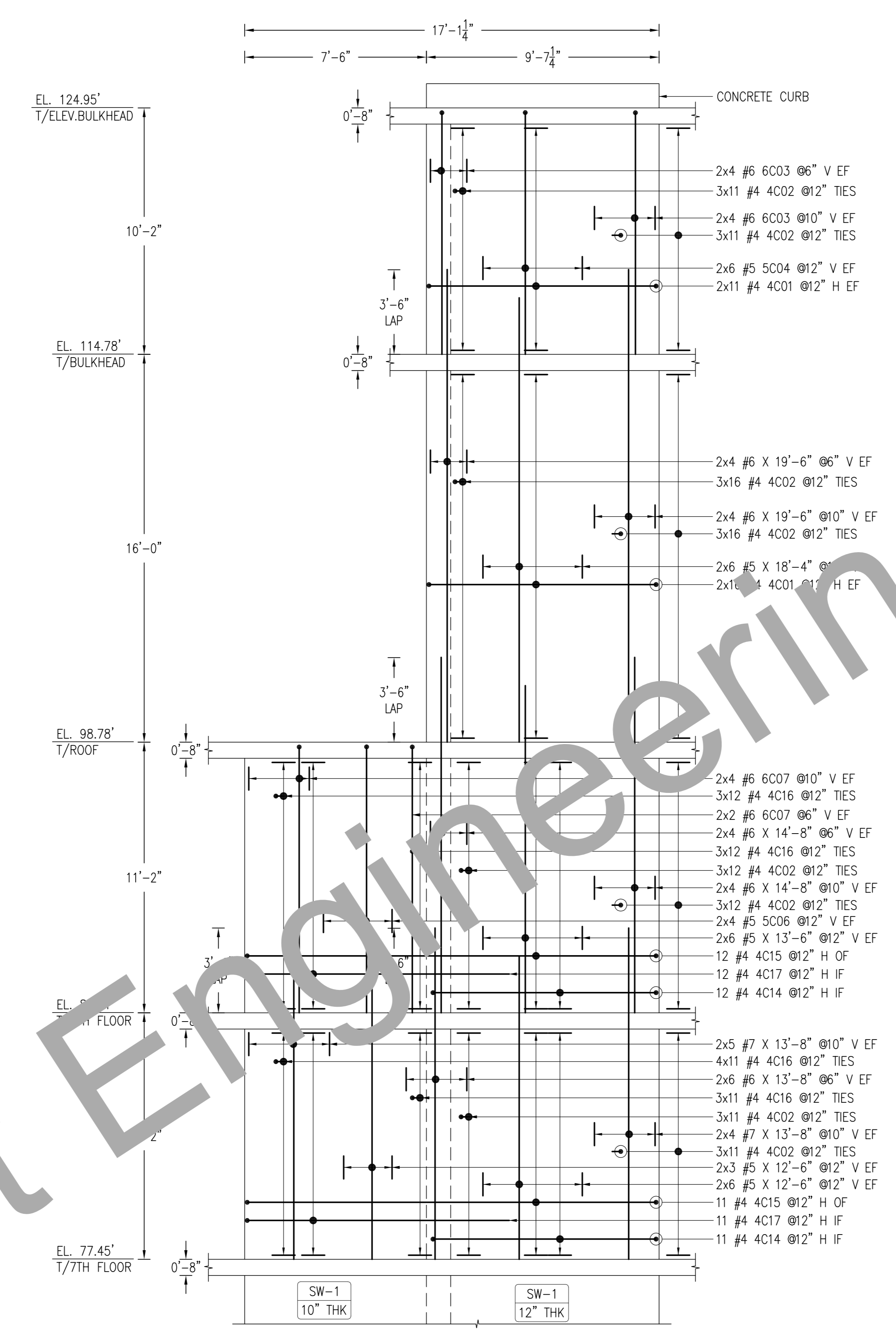
3X2X1 #4	4A02	@12"	T SW	NOTES
				SPACING
				BAR MARK
				BAR DIA
				NO OF BARS
				EACH FACE/EACH SIDE
				NO OF LOCATION

REFERENCE DRAWINGS
 FOR REBAR DETAIL OF FOUNDATION TO BULKHEAD SHEAR WALL ELE. "A TO K" REFER DRAWING #R23-R31

REINFORCING STEEL PLACING DRAWING ONLY USE IN CONJUNCTION WITH CONTRACT DRAWINGS & SPECIFICATIONS. ELEVATIONS & DIMENSIONS SHOWN ON DRAWING ARE FOR DETAILING PURPOSES ONLY AND SHOULD NOT BE USED FOR CONSTRUCTION UNLESS VERIFIED BY ENGINEER OR CONTRACTOR.



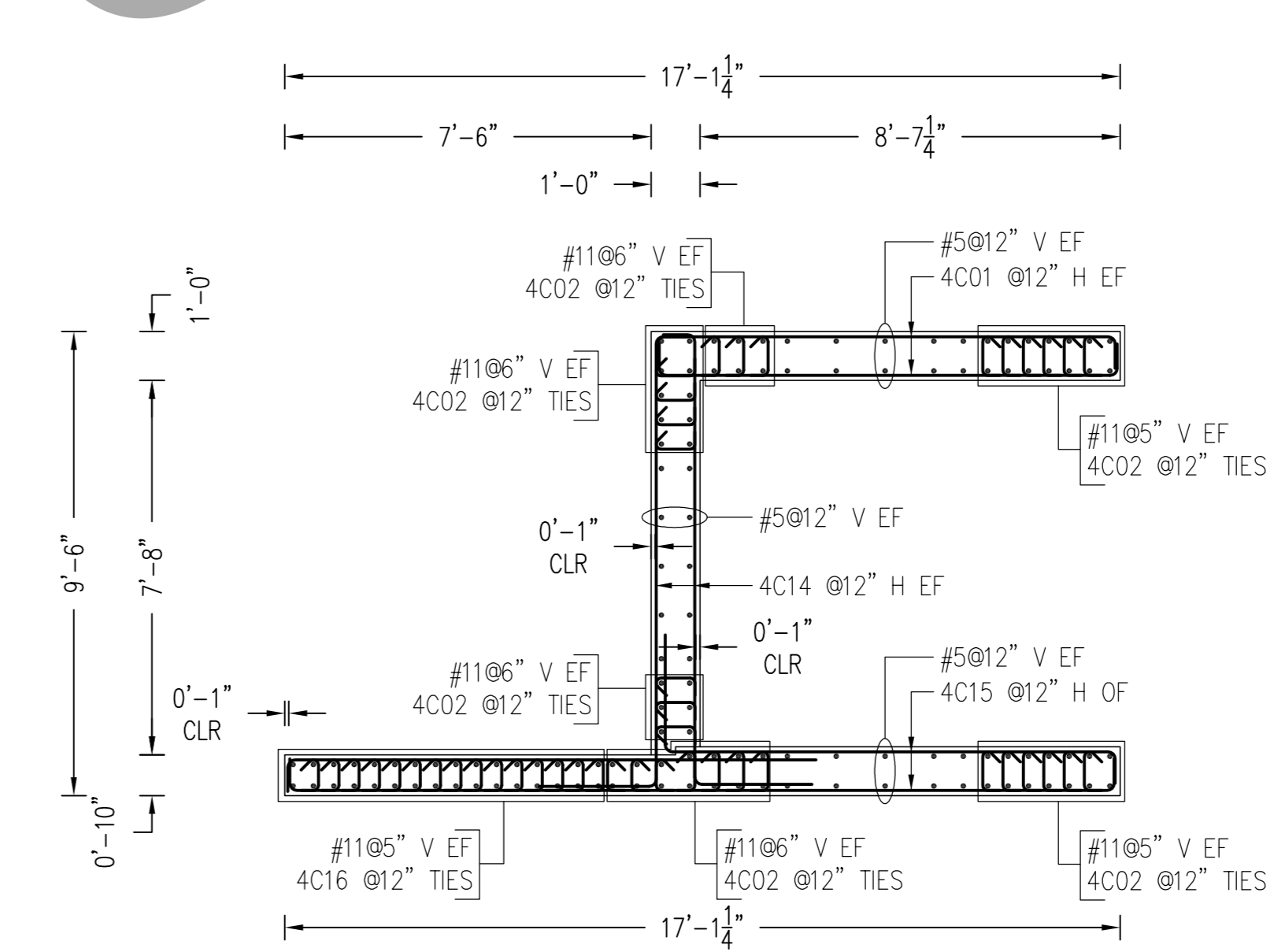
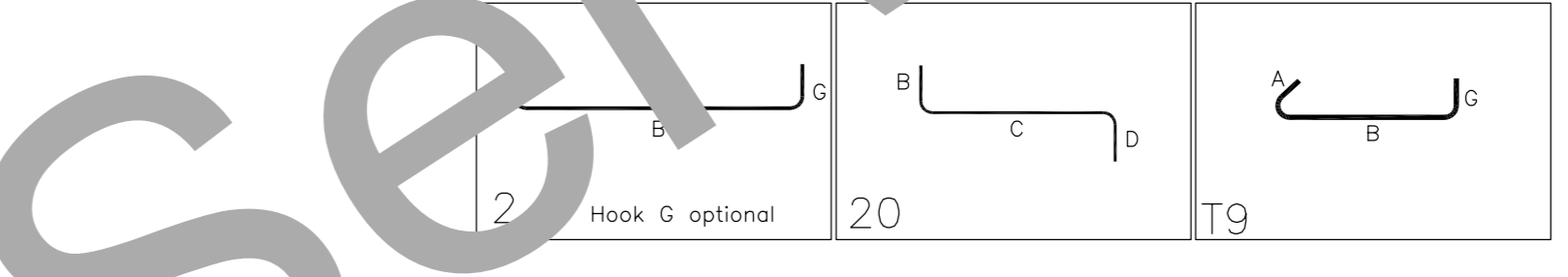
ELEVATION - A
SCALE: 1/4=1'-0"
SDR: FO-101.00, S-003.00 - S-501.00



ELEVATION - A (CONT.)
SCALE: 1/4=1'-0"
SDR: FO-101.00, S-003.00 - S-501.00

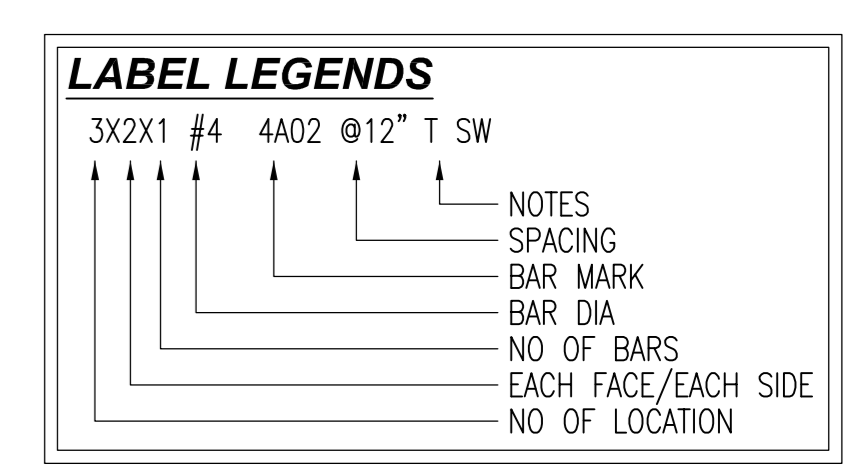
Release Number: R23

Bar Work	Qty	Size	Total Length	Type	X	Y	W	H	U	V	X	Y	W	H	U	V
4001	54	#4	10'-51"	0'-8"	9'-51"											
4002	1062	#4	1'-7"	0'-4 1/2"	0'-10"											
4214	108	#4	12'-4"	20	0'-8"											
4215	108	#4	18'-0"	2	0'-8"											
4216	182	#4	1'-3"	18	0'-8"											
4217	108	#4	11'-4"	18	0'-8"											
5004	72	#4	10'-10"	0	10'-0"											
5005	108	#4	15'-10"	0	15'-0"											
5006	108	#4	15'-0"	0	15'-0"											
6001	12	#6	1'-0"	11'-0"												



PLAN VIEW - SW-1
SCALE: 1/4=1'-0"
SDR: FO-101.00, S-003.00 - S-501.00

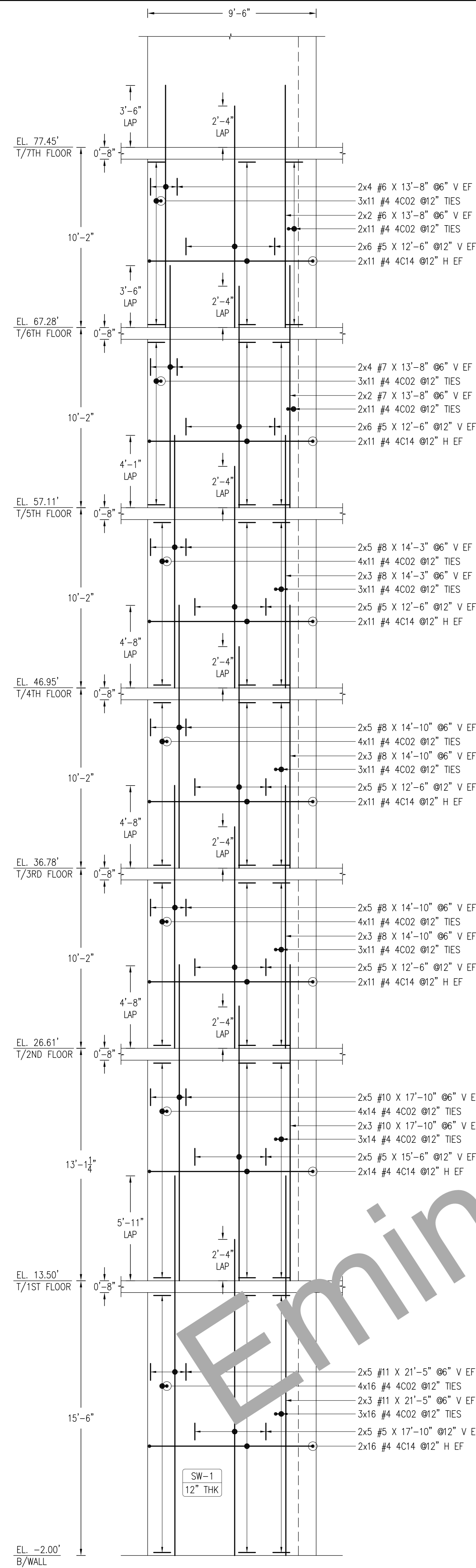
REFERENCE DRAWINGS
FOR REBAR DETAIL OF FOUNDATION TO BULKHEAD SHEAR WALL KEY PLAN REFER DRAWING #R22
FOR REBAR DETAIL OF FOUNDATION TO BULKHEAD SHEAR WALL ELE. 'B' TO 'K' REFER DRAWING #R24-R31



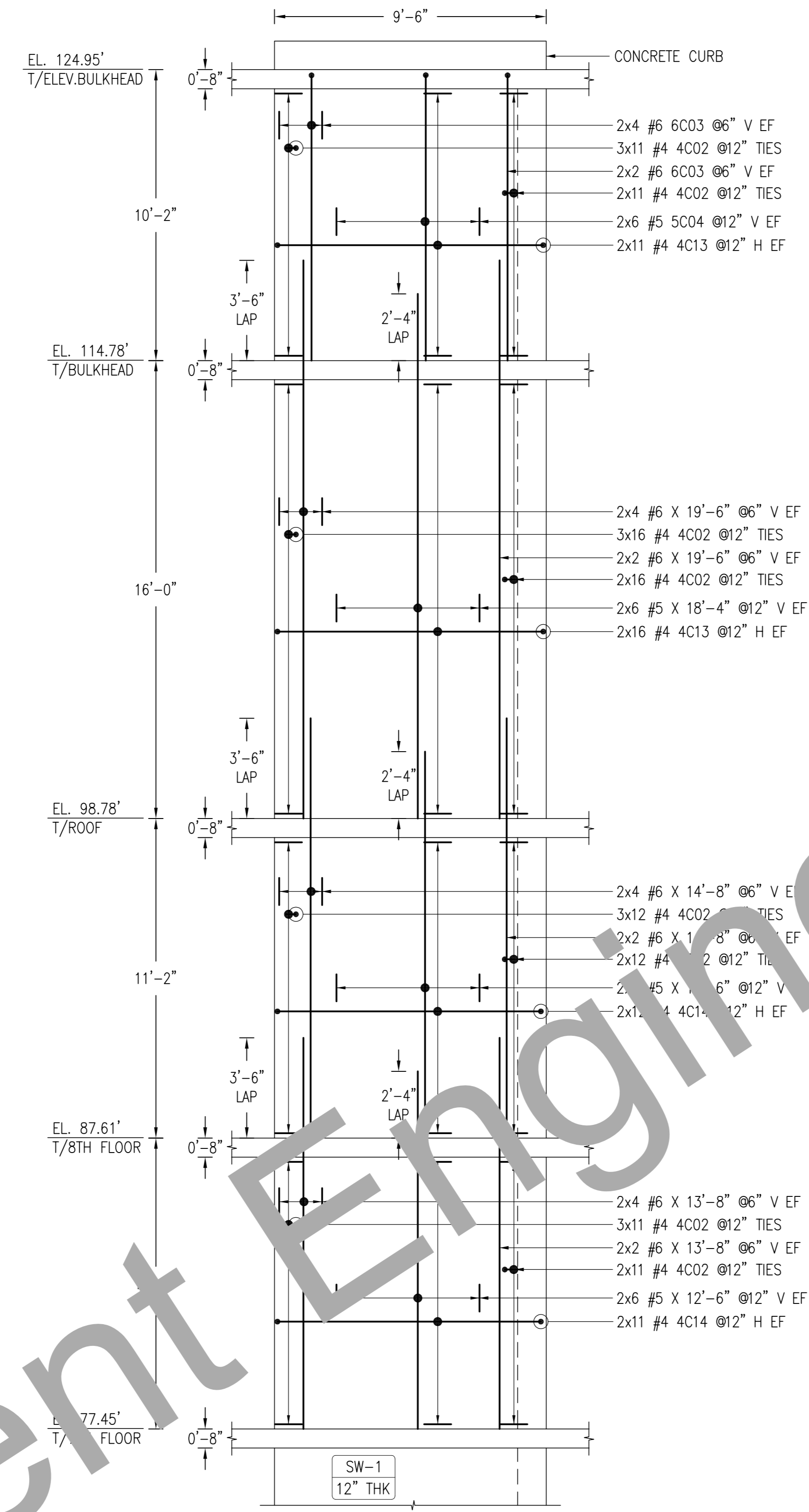
- NOTES:**
1. BOTTOM OF SHEAR WALL LEVEL REFER ELEVATION
 2. TOP OF SHEAR WALL LEVEL REFER ELEVATION
 3. COVER DETAILS:
 - FOR SHEAR WALL : FACE & SIDES = 1"
 4. STOCK LENGTH USED IS 30'-0"

FOR APPROVAL

REINFORCING STEEL PLACING DRAWING ONLY USE IN CONJUNCTION WITH CONTRACT DRAWINGS & SPECIFICATIONS. ELEVATIONS & DIMENSIONS SHOWN ON DRAWING ARE FOR DETAILING PURPOSES ONLY AND SHOULD NOT BE USED FOR CONSTRUCTION UNLESS VERIFIED BY ENGINEER OR CONTRACTOR.

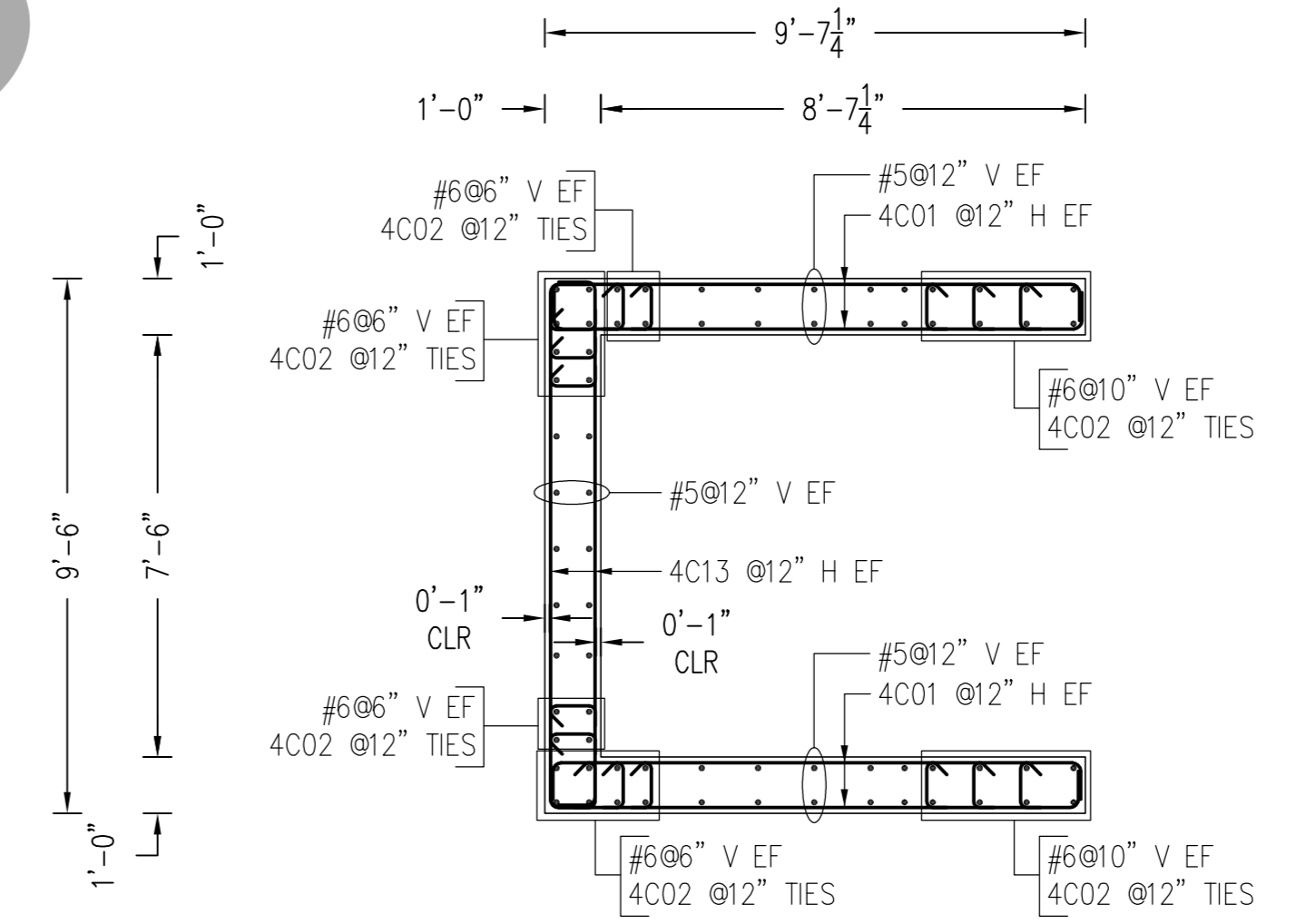
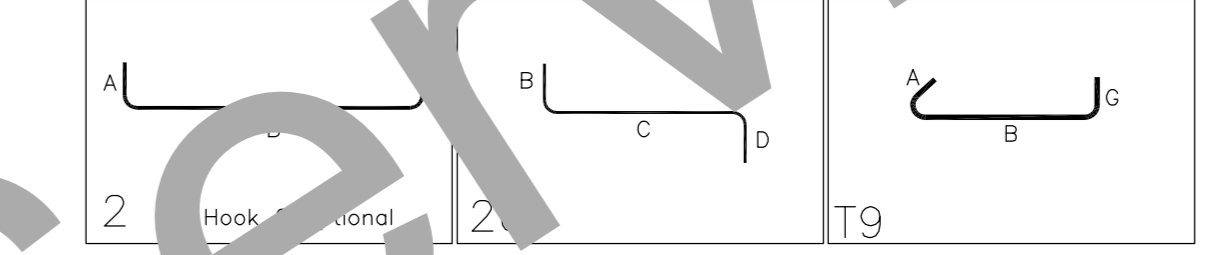


ELEVATION - B
SCALE: 1/4=1'-0"
SDR: FO-101.00, S-003.00 - S-501.00



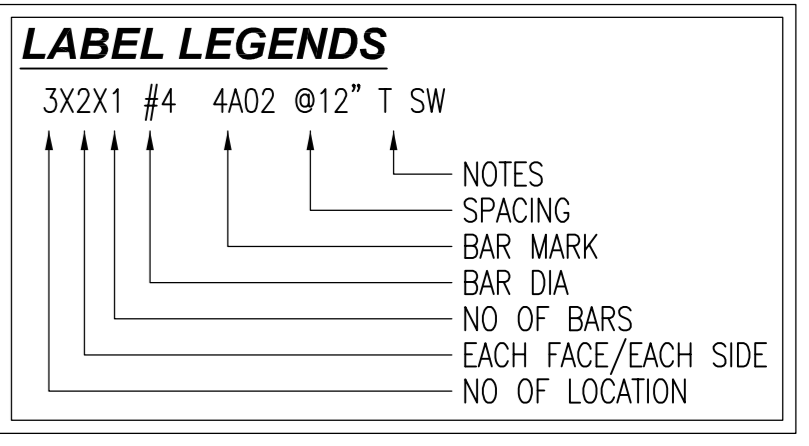
ELEVATION - B (CONT.)
SCALE: 1/4=1'-0"
SDR: FO-101.00, S-003.00 - S-501.00

Bar Mark	Qty	Size	Total Length	Type	X	Y	Z	U	V	W	X	Y	Z	U	V	W	
4C02	801	#4	1'-3"	T9	0'-4.8"	0'-0"	0'-0"	0'-0"	0'-0"	0'-0"	0'-0"	0'-0"	0'-0"	0'-0"	0'-0"	0'-0"	0'-0"
4C13	54	#4	10'-8"	T	0'-8"	0'-4"	0'-0"	0'-0"	0'-0"	0'-0"	0'-0"	0'-0"	0'-0"	0'-0"	0'-0"	0'-0"	0'-0"
4C14	186	#4	12'-4"	T9	0'-8"	0'-4"	0'-0"	0'-0"	0'-0"	0'-0"	0'-0"	0'-0"	0'-0"	0'-0"	0'-0"	0'-0"	0'-0"
5D04	12	#5	10'-10"	T	0'-10"	0'-0"	0'-0"	0'-0"	0'-0"	0'-0"	0'-0"	0'-0"	0'-0"	0'-0"	0'-0"	0'-0"	0'-0"
6B03	12	#6	11'-0"	T	1'-0"	0'-0"	0'-0"	0'-0"	0'-0"	0'-0"	0'-0"	0'-0"	0'-0"	0'-0"	0'-0"	0'-0"	0'-0"



PLAN VIEW - SW-1
SCALE: 1/4=1'-0"
SDR: FO-101.00, S-003.00 - S-501.00

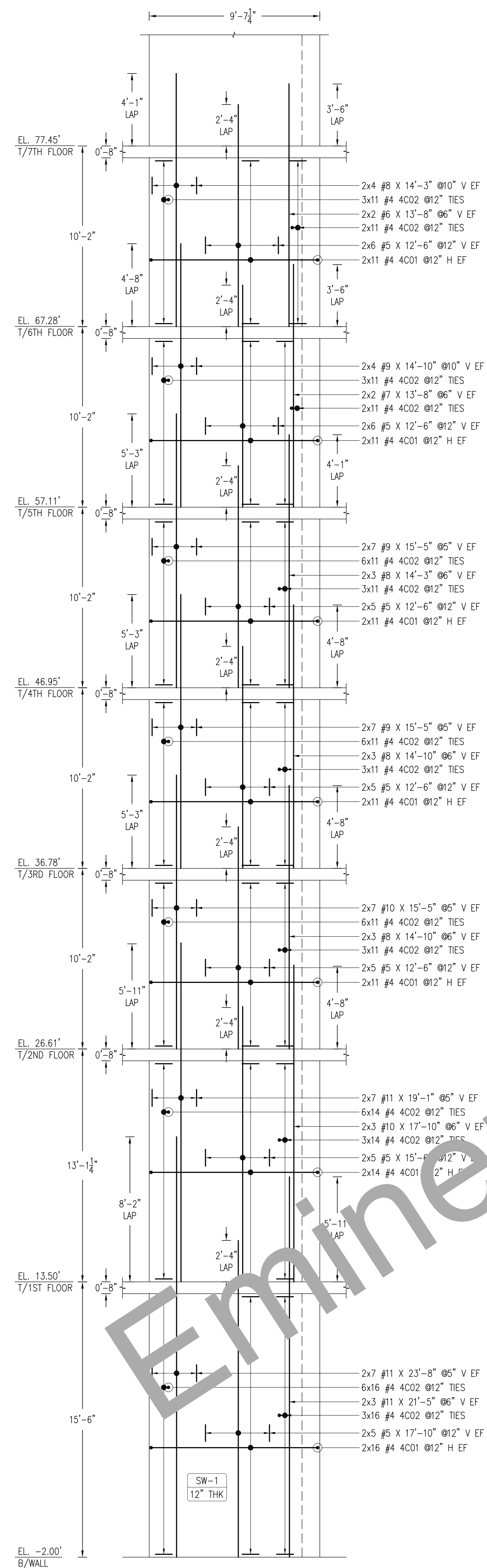
REFERENCE DRAWINGS
FOR REBAR DETAIL OF FOUNDATION TO BULKHEAD SHEAR WALL KEY PLAN REFER DRAWING #R22
FOR REBAR DETAIL OF FOUNDATION TO BULKHEAD SHEAR WALL ELE. "A" REFER DRAWING #R23
FOR REBAR DETAIL OF FOUNDATION TO BULKHEAD SHEAR WALL ELE. "C TO K" REFER DRAWING #R25-R31



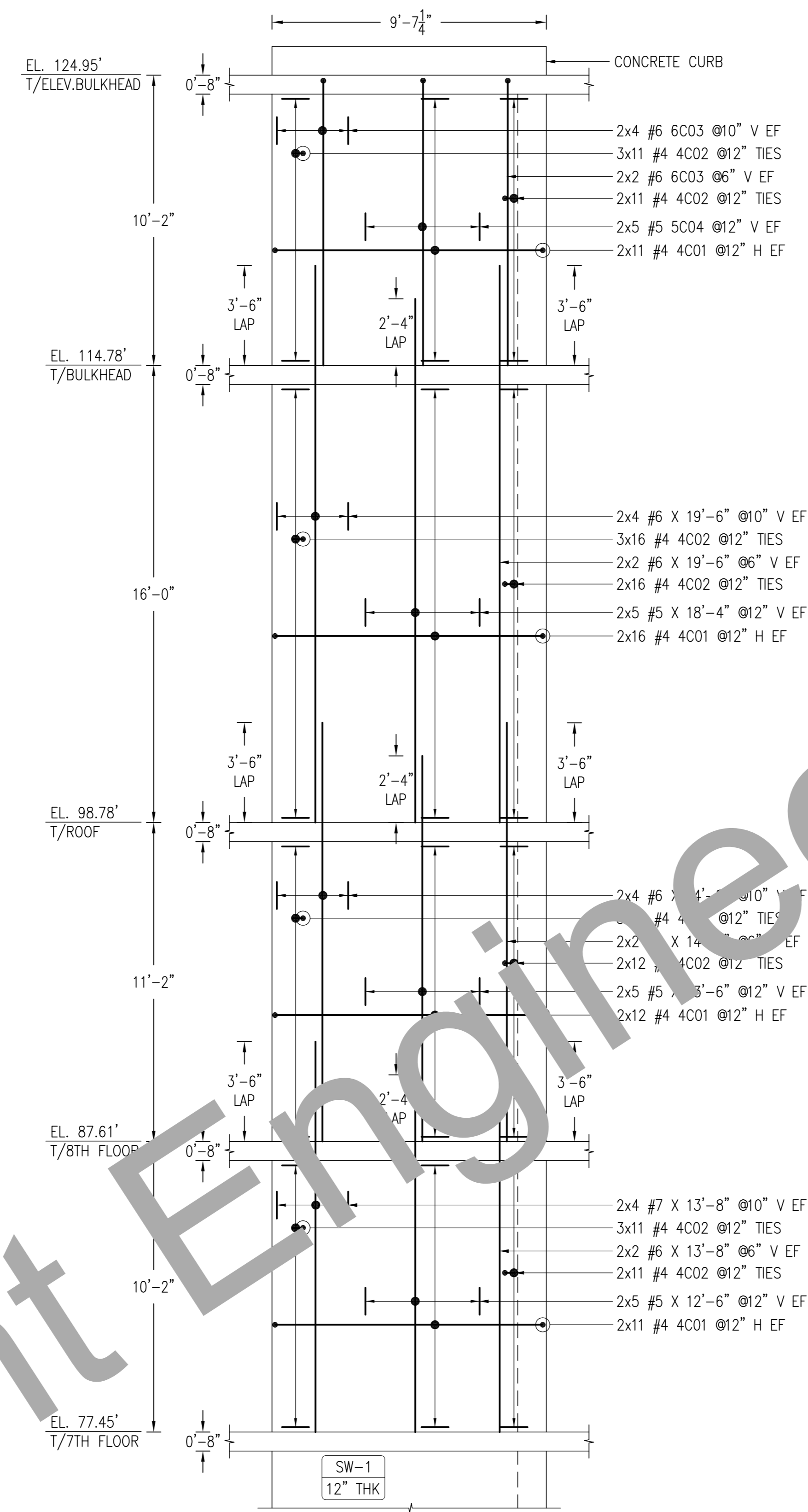
- NOTES:**
1. BOTTOM OF SHEAR WALL LEVEL REFER ELEVATION
 2. TOP OF SHEAR WALL LEVEL REFER ELEVATION
 3. COVER DETAILS:
FOR SHEAR WALL : FACE & SIDES = 1"
 4. STOCK LENGTH USED IS 30'-0"

FOR APPROVAL

REINFORCING STEEL PLACING DRAWING ONLY USE IN CONJUNCTION WITH CONTRACT DRAWINGS & SPECIFICATIONS. ELEVATIONS & DIMENSIONS SHOWN ON DRAWING ARE FOR DETAILING PURPOSES ONLY AND SHOULD NOT BE USED FOR CONSTRUCTION UNLESS VERIFIED BY ENGINEER OR CONTRACTOR.



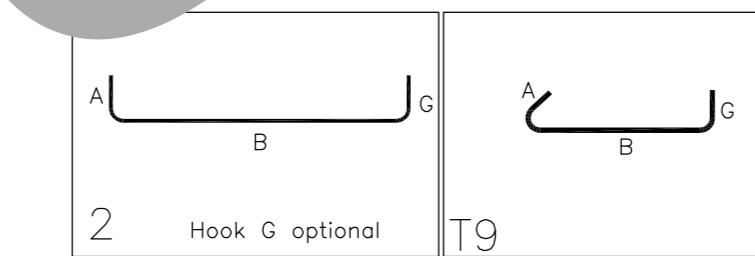
ELEVATION - C
SCALE: 1/4"=1'-0"
SDR: FO-101.00, S-003.00 - S-501.00



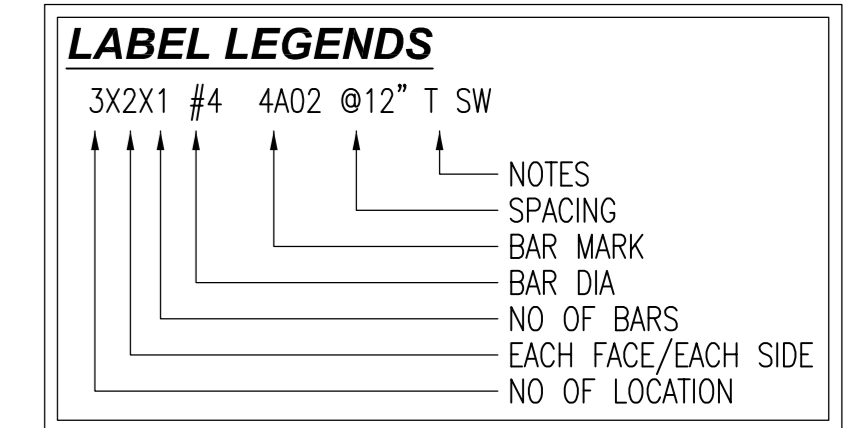
ELEVATION - C (CONT.)
SCALE: 1/4"=1'-0"
SDR: FO-101.00, S-003.00 - S-501.00

Release Number: R23

Bar No.	Qty	Bar Length	U'	V'	W'	X'	Y'	Z'	AA'	BB'	CC'	DD'	EE'	FF'	GG'	HH'	II'	JJ'	KK'	LL'	
4002	4	1'-7"	0'-8"	9'-5"																	
5004	8	10'-10"	0'-10"	10'-0"																	
6003	2	11'-0"	1'-0"	10'-0"																	



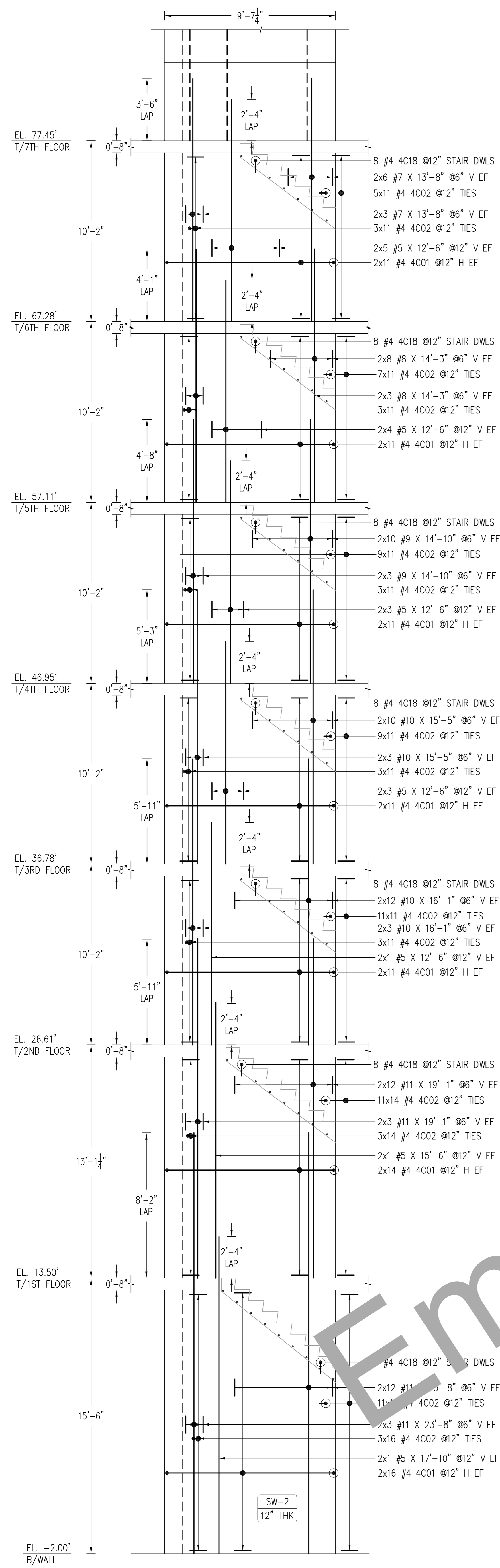
REFERENCE DRAWINGS
FOR REBAR DETAIL OF FOUNDATION TO BULKHEAD SHEAR WALL KEY PLAN REFER DRAWING #R22
FOR REBAR DETAIL OF FOUNDATION TO BULKHEAD SHEAR WALL ELE. 'A' & 'B' REFER DRAWING #R23-R24
FOR REBAR DETAIL OF FOUNDATION TO BULKHEAD SHEAR WALL ELE. 'D' TO 'K' REFER DRAWING #R25-R31



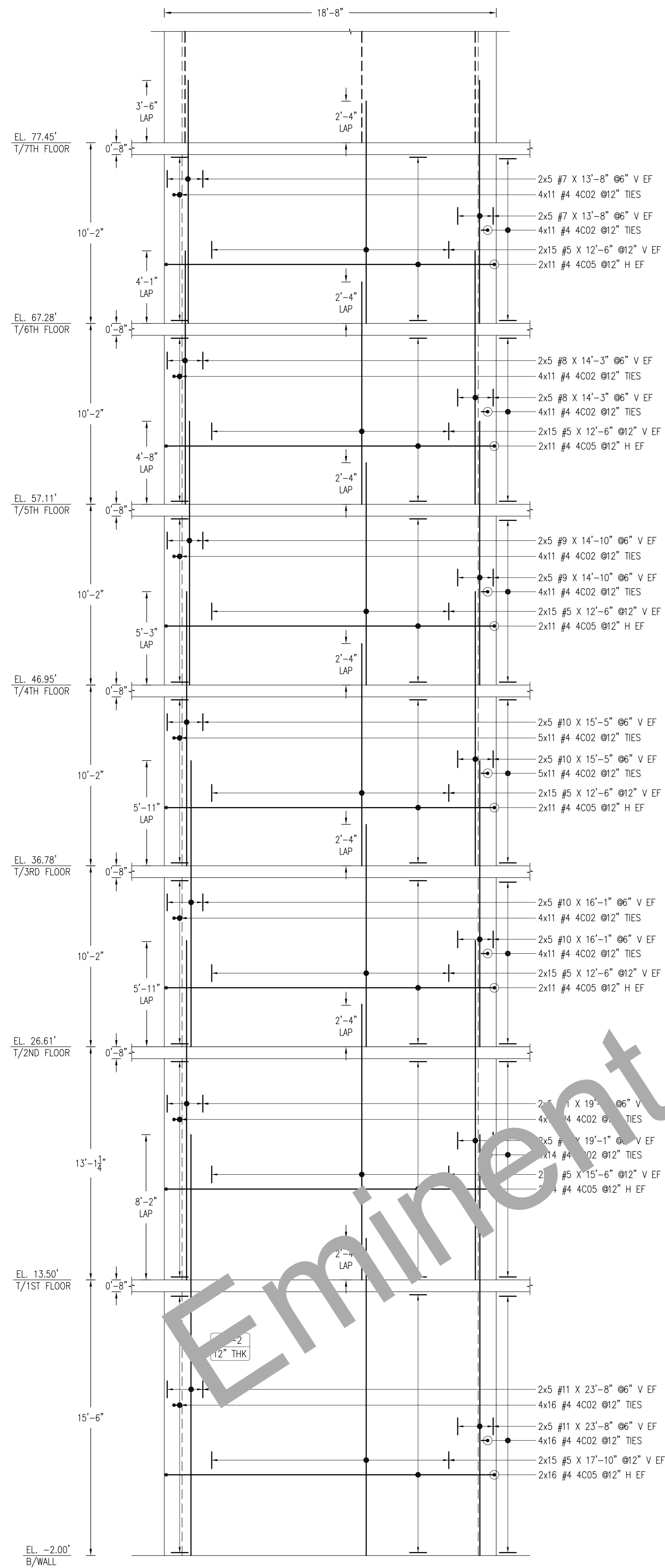
- NOTES:**
1. BOTTOM OF SHEAR WALL LEVEL REFER ELEVATION
 2. TOP OF SHEAR WALL LEVEL REFER ELEVATION
 3. COVER DETAILS:
FOR SHEAR WALL : FACE & SIDES = 1"
 4. STOCK LENGTH USED IS 30'-0"

FOR APPROVAL

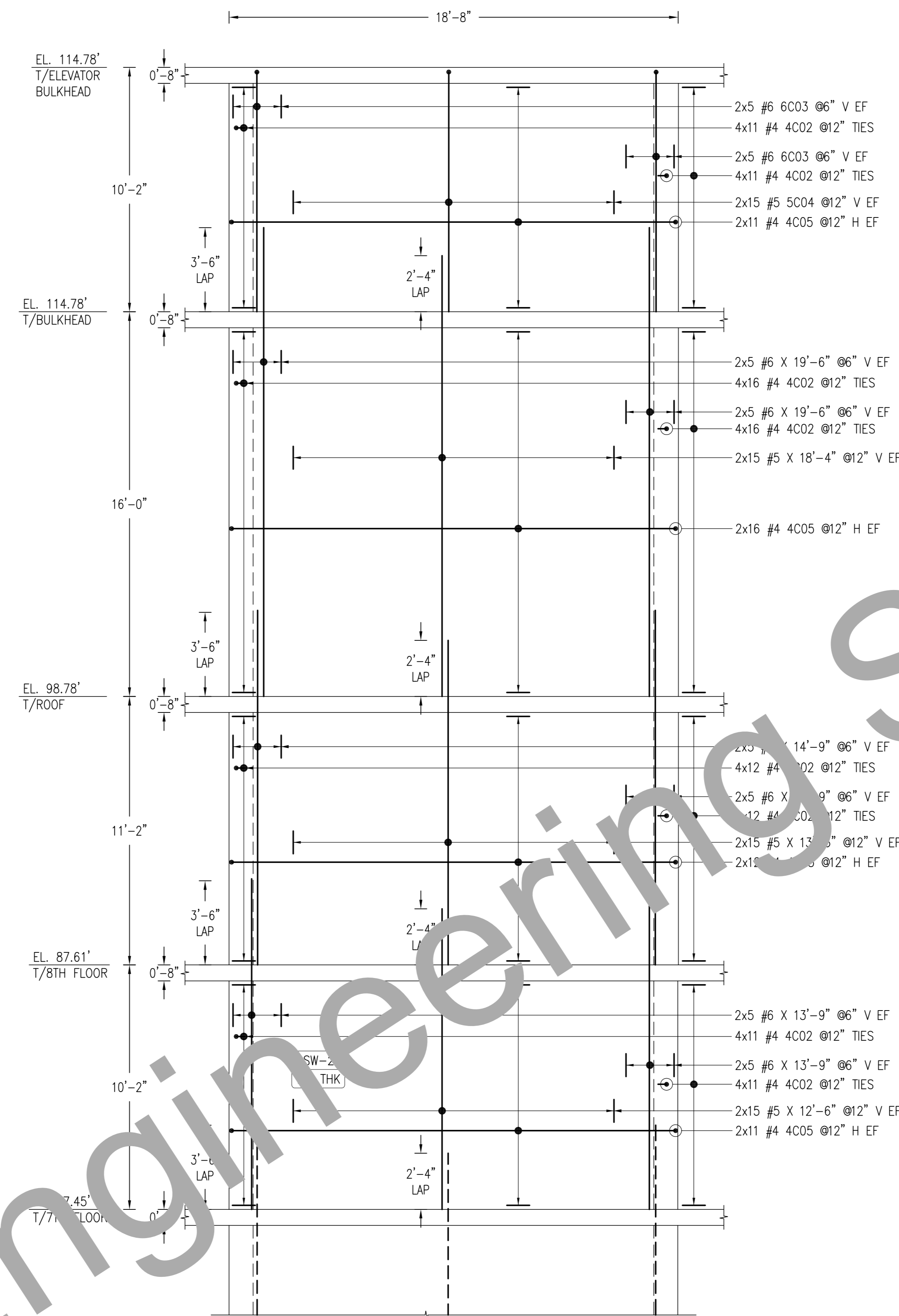
REINFORCING STEEL PLACING DRAWING ONLY USE IN CONJUNCTION WITH CONTRACT DRAWINGS & SPECIFICATIONS. ELEVATIONS & DIMENSIONS SHOWN ON DRAWING ARE FOR DETAILING PURPOSES ONLY AND SHOULD NOT BE USED FOR CONSTRUCTION UNLESS VERIFIED BY ENGINEER OR CONTRACTOR.



REINFORCING STEEL PLACING DRAWING ONLY USE IN CONJUNCTION WITH CONTRACT DRAWINGS & SPECIFICATIONS. ELEVATIONS & DIMENSIONS SHOWN ON DRAWING ARE FOR DETAILING PURPOSES ONLY AND SHOULD NOT BE USED FOR CONSTRUCTION UNLESS VERIFIED BY ENGINEER OR CONTRACTOR.

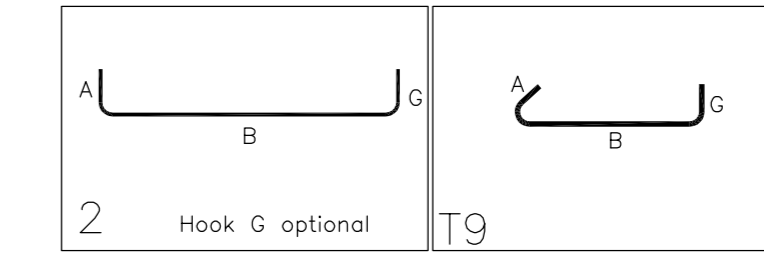


ELEVATION - E
SCALE: 1/4"=1'-0"
SDR: FO-101.00, S-003.00 - S-501.00

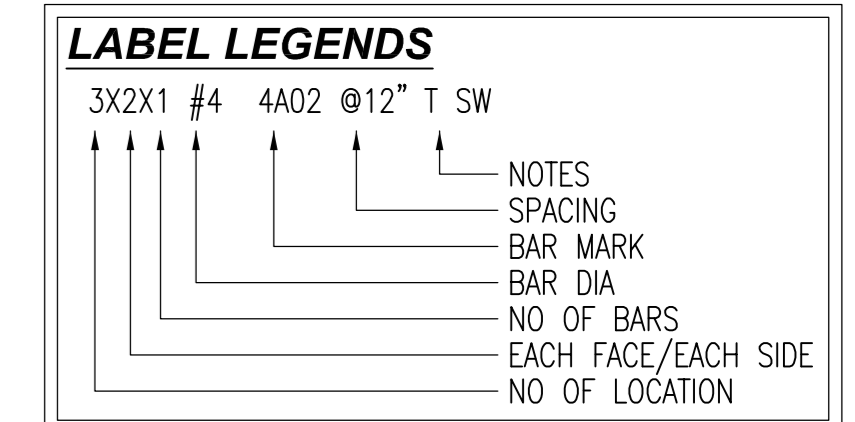


ELEVATION - E (CONT)
SCALE: 1/4"=1'-0"
SDR: FO-101.00, S-003.00 - S-501.00

Bar Number	Qty	Size	Min Length	Type	X'	Y'	Z'	BAR LIST	W'	T'	V'	Z'	X'	W'	Y'
102	1102	#4	1'-7"	19	0'-4"	0'-10"									
105	270	#4	19'-10"	2	0'-8"	18'-6"									
504	30	#5	10'-10"	2	0'-10"	10'-0"									
803	20	#6	11'-0"	2	1'-0"	10'-0"									



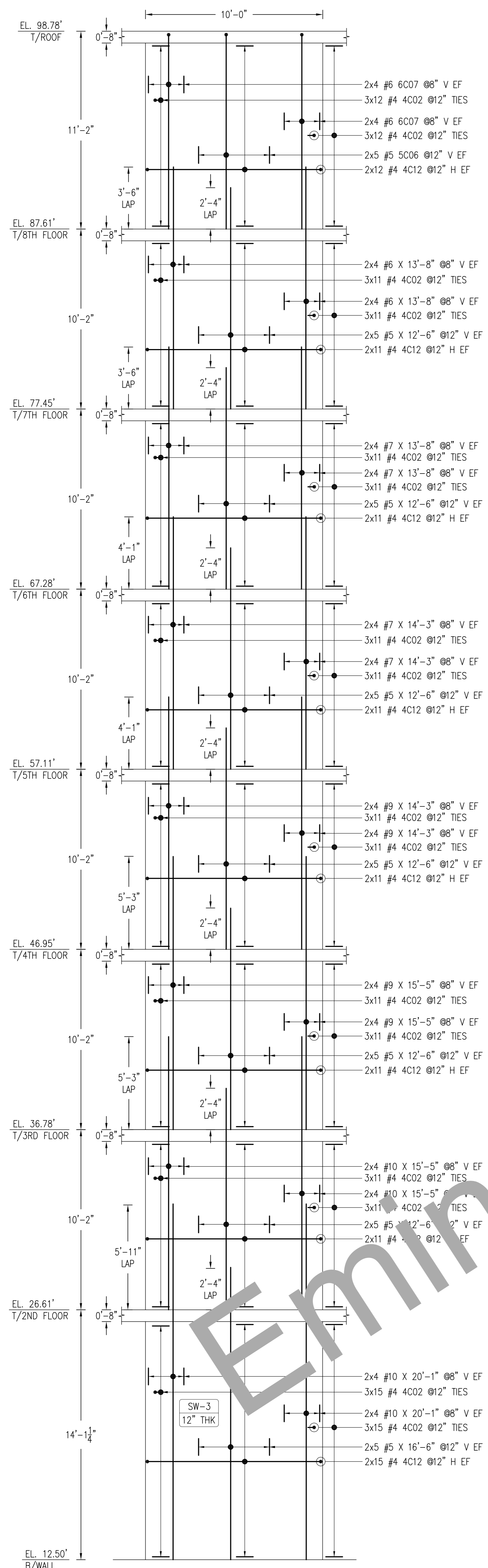
REFERENCE DRAWINGS
FOR REBAR DETAIL OF FOUNDATION TO BULKHEAD SHEAR WALL KEY PLAN REFER DRAWING #R22
FOR REBAR DETAIL OF FOUNDATION TO BULKHEAD SHEAR WALL ELE. "A TO D" REFER DRAWING #R23-R26
FOR REBAR DETAIL OF FOUNDATION TO BULKHEAD SHEAR WALL ELE. "F TO K" REFER DRAWING #R26-R31



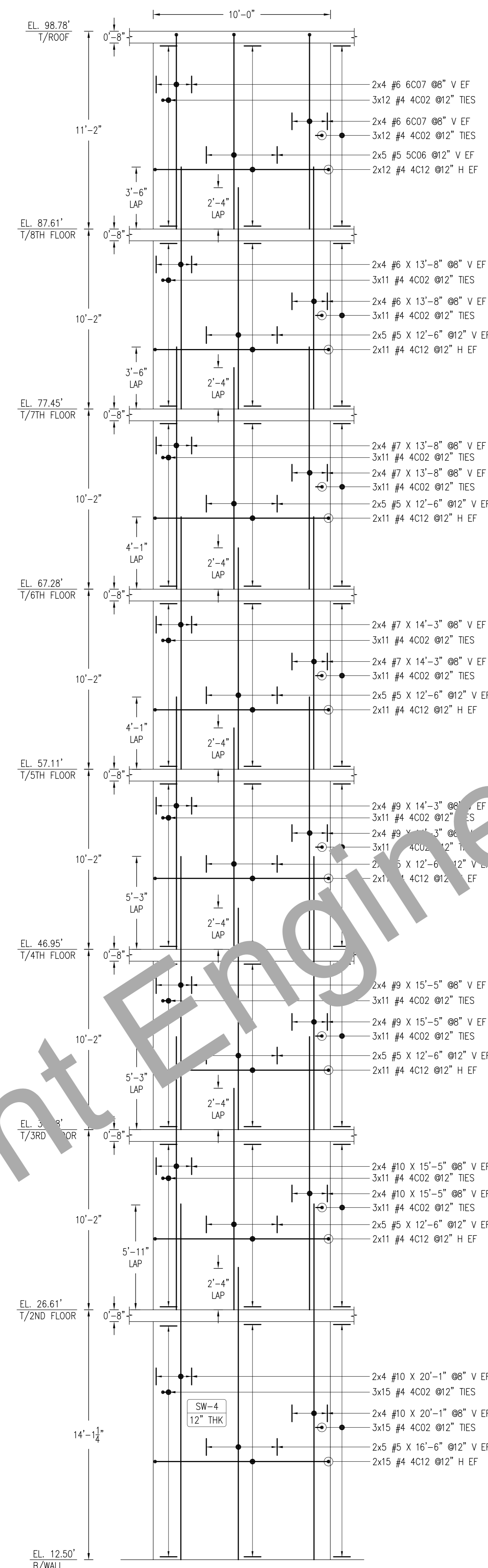
- NOTES:**
1. BOTTOM OF SHEAR WALL LEVEL REFER ELEVATION
 2. TOP OF SHEAR WALL LEVEL REFER ELEVATION
 3. COVER DETAILS:
FOR SHEAR WALL : FACE & SIDES = 1"
 4. STOCK LENGTH USED IS 30'-0"

FOR APPROVAL

REINFORCING STEEL PLACING DRAWING ONLY USE IN CONJUNCTION WITH CONTRACT DRAWINGS & SPECIFICATIONS. ELEVATIONS & DIMENSIONS SHOWN ON DRAWING ARE FOR DETAILING PURPOSES ONLY AND SHOULD NOT BE USED FOR CONSTRUCTION UNLESS VERIFIED BY ENGINEER OR CONTRACTOR.

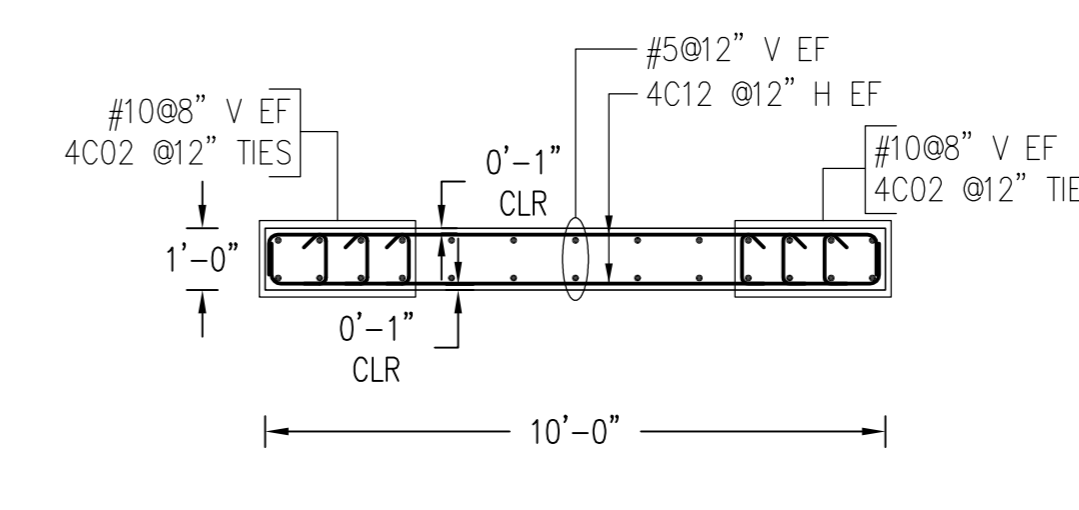
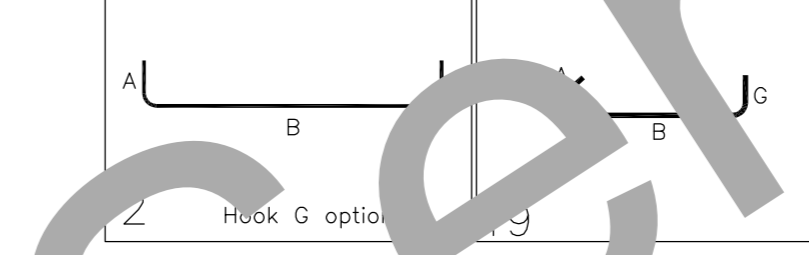


ELEVATION - G
SCALE: 1/4=1'-0"
SDR: FO-101.00, S-003.00 - S-501.00

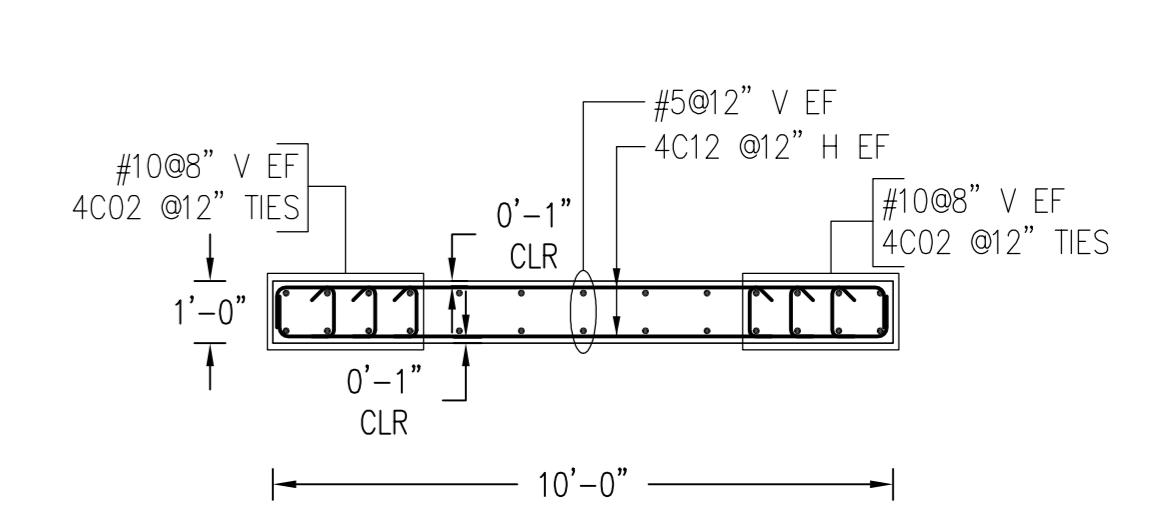


ELEVATION - H
SCALE: 1/4=1'-0"
SDR: FO-101.00, S-003.00 - S-501.00

Bar Mark	Qty	Size	Total Length	Type	X	Y	W	W	W	W	W	W	W	W
4C02	1116	#4	1'-27"	19	0'-4"	0'-10"								
4C12	372	#4	11'-27"	2	0'-8"	9'-10"								
5C06	20	#5	11'-10"	2	0'-10"									
6C07	32	#6	12'-0"	2	1'-0"	11'								

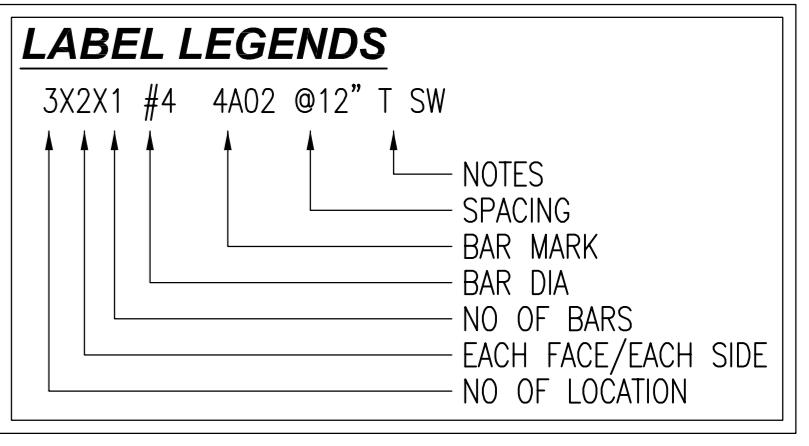


PLAN VIEW - SW-3
SCALE: 1/4=1'-0"
SDR: FO-101.00, S-003.00 - S-501.00



PLAN VIEW - SW-4
SCALE: 1/4=1'-0"
SDR: FO-101.00, S-003.00 - S-501.00

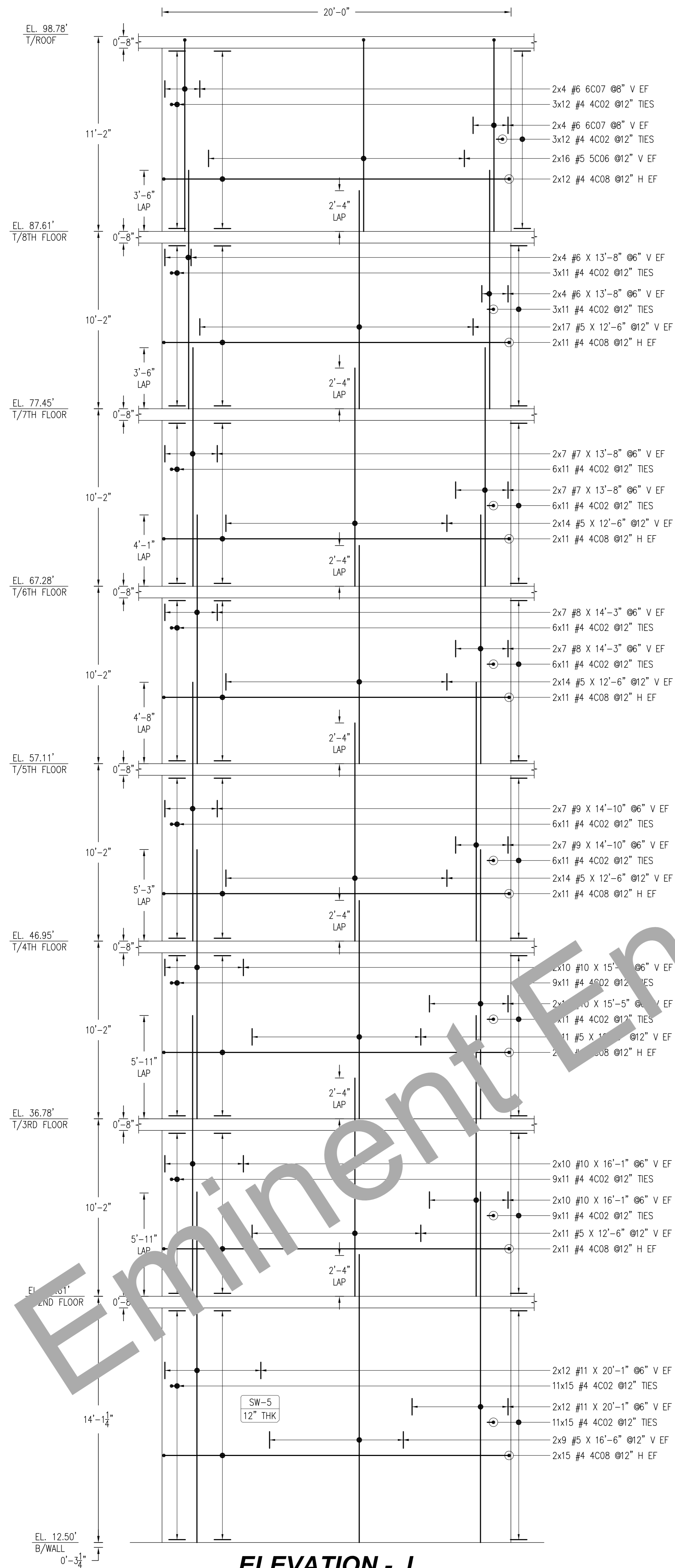
REFERENCE DRAWINGS
FOR REBAR DETAIL OF FOUNDATION TO BULKHEAD SHEAR WALL KEY PLAN REFER DRAWING #R22
FOR REBAR DETAIL OF FOUNDATION TO BULKHEAD SHEAR WALL ELE. "A TO F" REFER DRAWING #R23-R28
FOR REBAR DETAIL OF FOUNDATION TO BULKHEAD SHEAR WALL ELE. "J & K" REFER DRAWING #R30-R31



- NOTES:**
1. BOTTOM OF SHEAR WALL LEVEL REFER ELEVATION
 2. TOP OF SHEAR WALL LEVEL REFER ELEVATION
 3. COVER DETAILS:
FOR SHEAR WALL : FACE & SIDES = 1"
 4. STOCK LENGTH USED IS 30'-0"

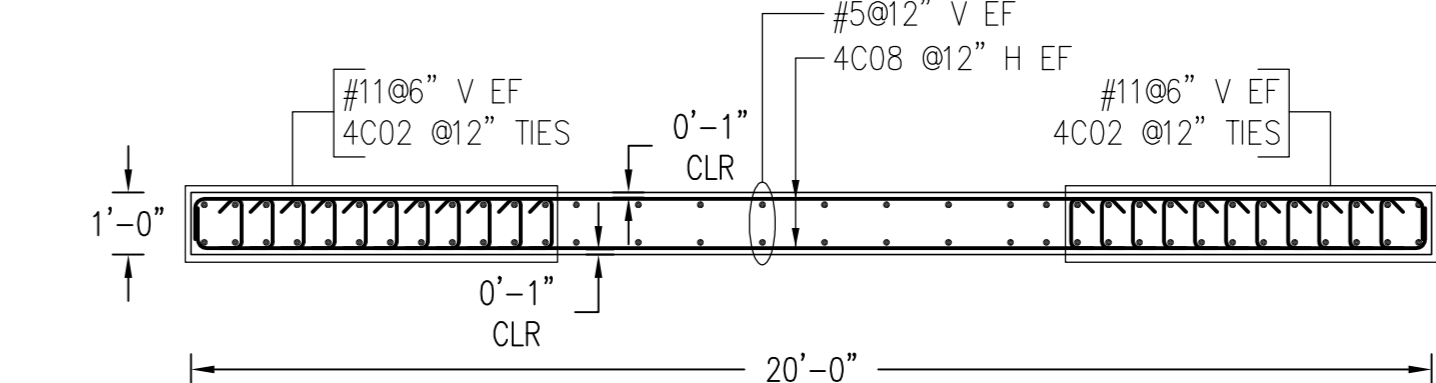
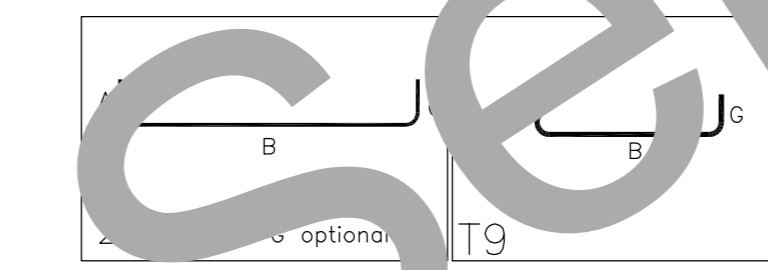
FOR APPROVAL

REINFORCING STEEL PLACING DRAWING ONLY USE IN CONJUNCTION WITH CONTRACT DRAWINGS & SPECIFICATIONS. ELEVATIONS & DIMENSIONS SHOWN ON DRAWING ARE FOR DETAILING PURPOSES ONLY AND SHOULD NOT BE USED FOR CONSTRUCTION UNLESS VERIFIED BY ENGINEER OR CONTRACTOR.



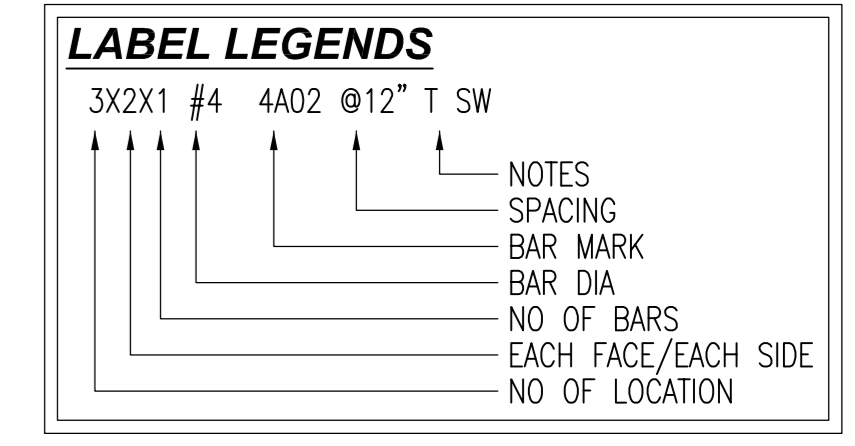
ELEVATION - J
SCALE: 1/4"=1'-0"
SDR: FO-101.00, S-003.00 - S-501.00

Bar Mark	Qty	Size	Total Length	Type	X	Y	BAR U	V	W	X	Y	Z	W	X	Y
4C02	1360	#4	1'-7"	T9	0'-4.5"										
4C08	186	#4	2'-2"	2	0'-3"										
5C06	32	#5	11'-10"	2	0'-10"										
6C07	16	#6	12'-0"	1	0'-0"										



PLAN VIEW - SW-5
SCALE: 1/4"=1'-0"
SDR: FO-101.00, S-003.00 - S-501.00

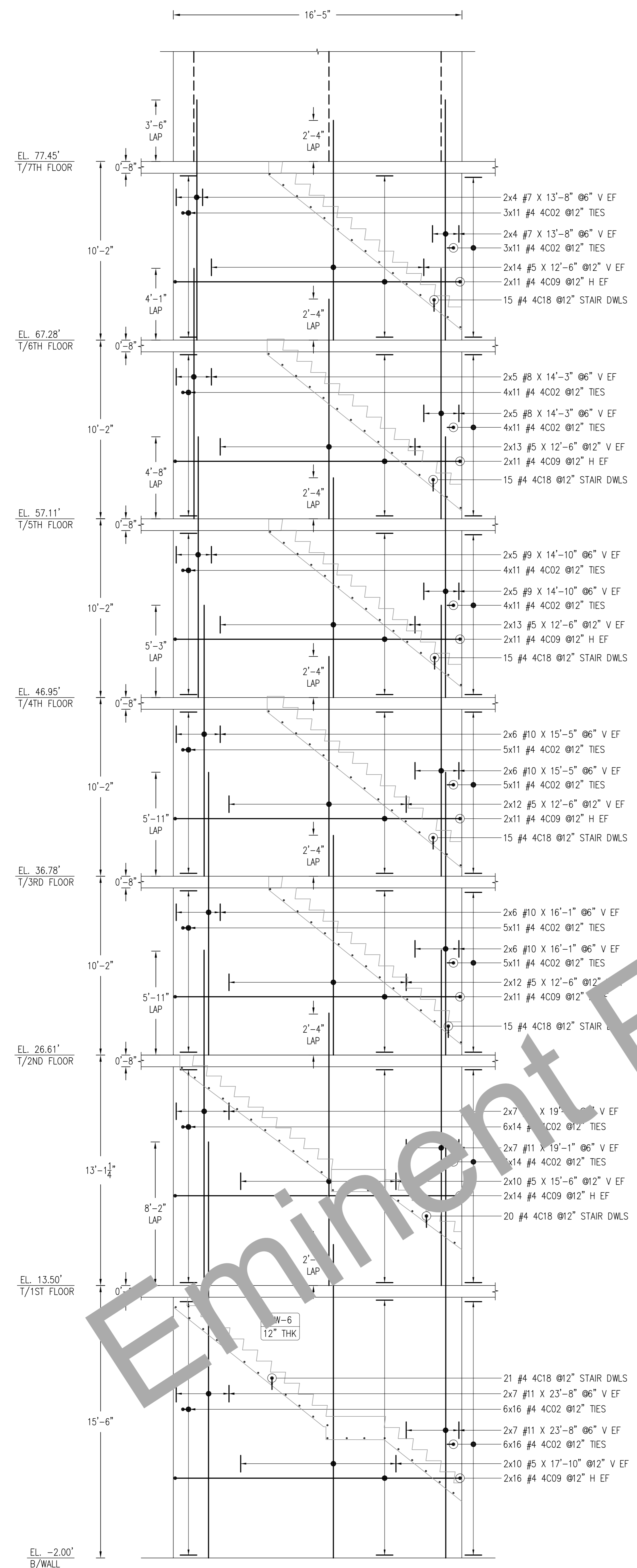
REFERENCE DRAWINGS
FOR REBAR DETAIL OF FOUNDATION TO BULKHEAD SHEAR WALL KEY PLAN REFER DRAWING #R22
FOR REBAR DETAIL OF FOUNDATION TO BULKHEAD SHEAR WALL ELE. "A" TO "H" REFER DRAWING #R23-R29
FOR REBAR DETAIL OF FOUNDATION TO BULKHEAD SHEAR WALL ELE. "I" REFER DRAWING #R31



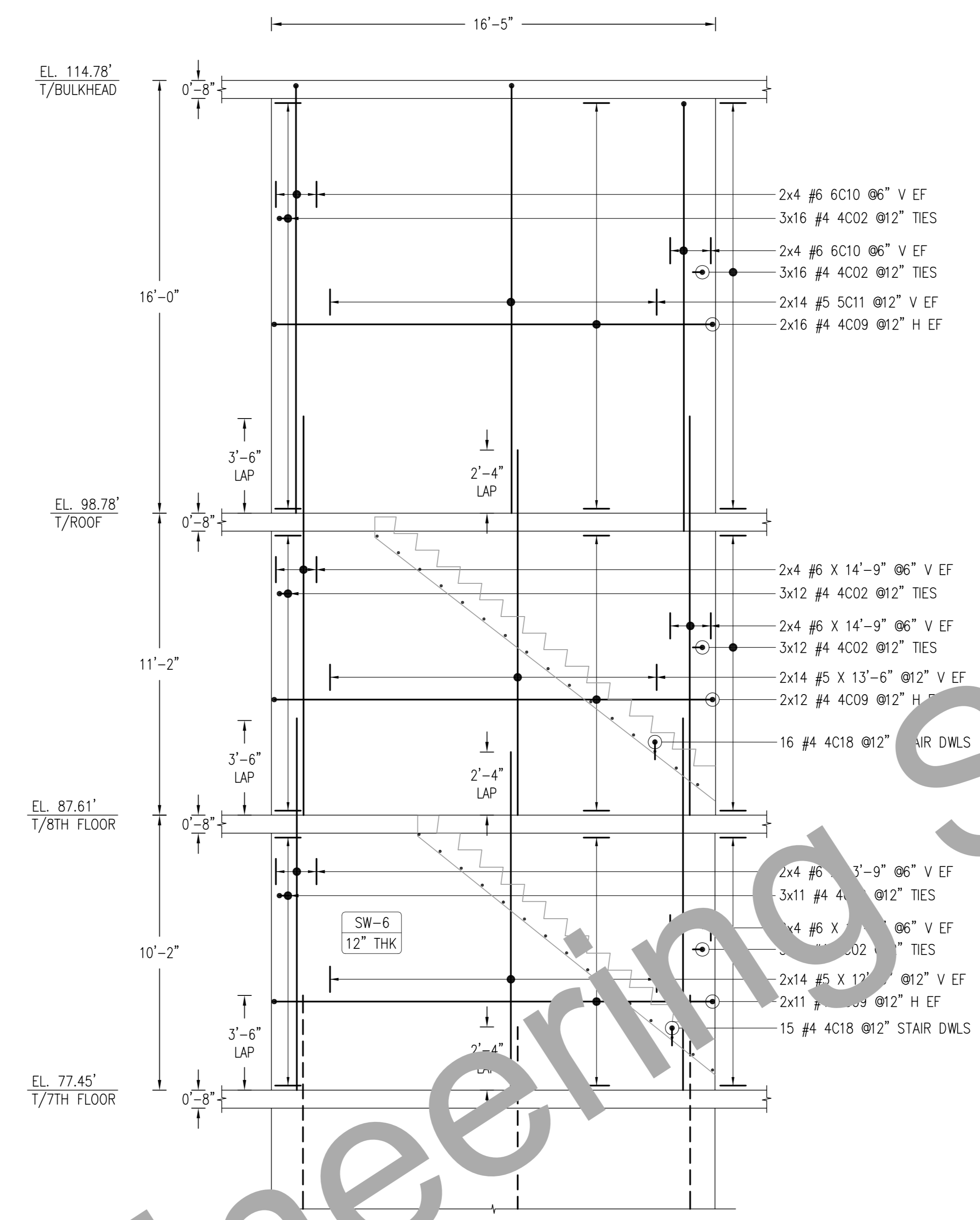
- NOTES:**
1. BOTTOM OF SHEAR WALL LEVEL REFER ELEVATION
 2. TOP OF SHEAR WALL LEVEL REFER ELEVATION
 3. COVER DETAILS:
FOR SHEAR WALL : FACE & SIDES = 1"
 4. STOCK LENGTH USED IS 30'-0"

FOR APPROVAL

REINFORCING STEEL PLACING DRAWING ONLY USE IN CONJUNCTION WITH CONTRACT DRAWINGS & SPECIFICATIONS. ELEVATIONS & DIMENSIONS SHOWN ON DRAWING ARE FOR DETAILING PURPOSES ONLY AND SHOULD NOT BE USED FOR CONSTRUCTION UNLESS VERIFIED BY ENGINEER OR CONTRACTOR.

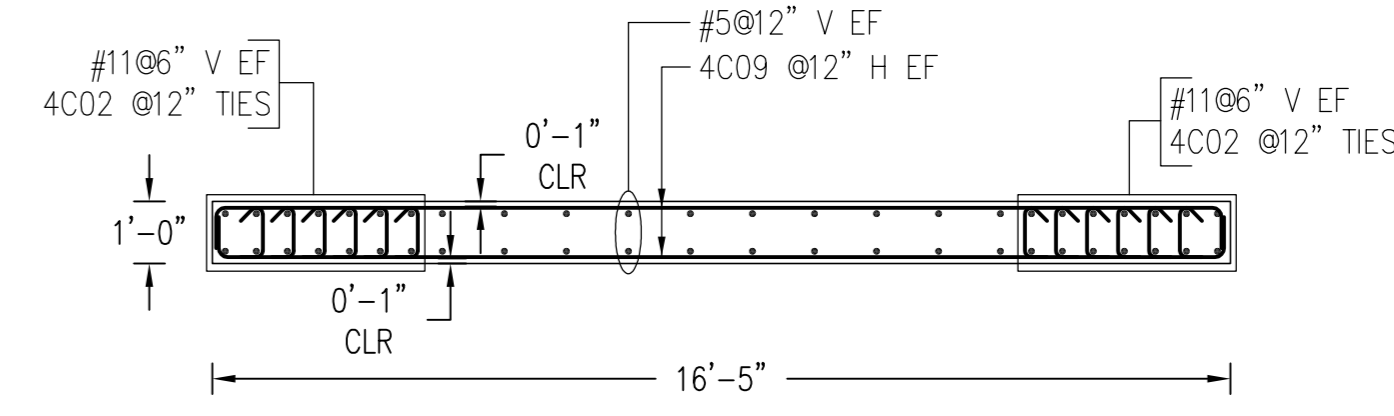
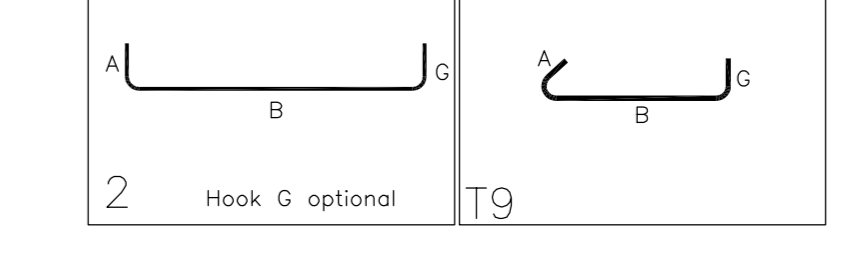


ELEVATION - K
SCALE: 1/4=1'-0"
SDR: FO-101.00, S-003.00 - S-501.00



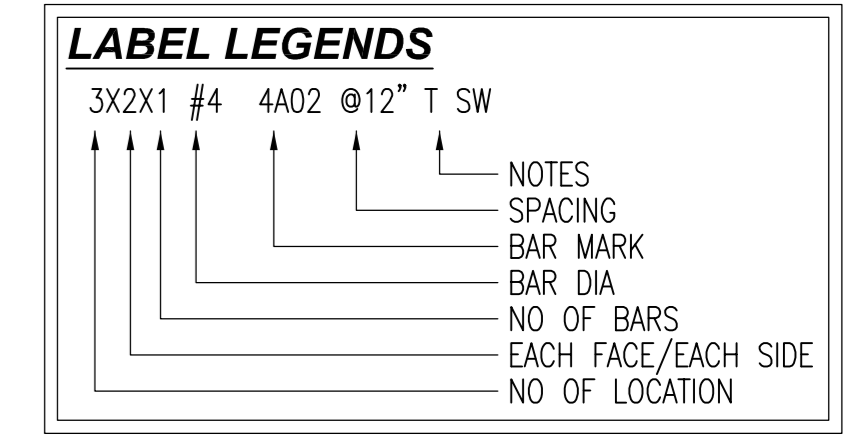
ELEVATION - K (CONT)
SCALE: 1/4=1'-0"
SDR: FO-101.00, S-003.00 - S-501.00

Bar Marking	Qty	Size	Total Length	Type	X'	Y'	Z'	BAR LIST	Y'	Y'	Y'	Y'	Y'	Y'	Y'
4002	248	#4	17'-7"	2	0'-4 1/2"	0'-10"									
4009	248	#4	17'-7"	2	0'-8"	16'-3"									
4018	142	#4	3'-4"	2	0'-8"	2'-8"									
5011	28	#5	16'-8"	2	0'-10"	15'-10"									
6010	16	#6	16'-10"	2	1'-0"	15'-10"									



PLAN VIEW - SW-6
SCALE: 1/4=1'-0"
SDR: FO-101.00, S-003.00 - S-501.00

REFERENCE DRAWINGS
FOR REBAR DETAIL OF FOUNDATION TO BULKHEAD SHEAR WALL KEY PLAN REFER DRAWING #R22
FOR REBAR DETAIL OF FOUNDATION TO BULKHEAD SHEAR WALL ELE. 'A' TO 'J' REFER DRAWING #R23-R30



NOTES:
1. BOTTOM OF SHEAR WALL LEVEL REFER ELEVATION
2. TOP OF SHEAR WALL LEVEL REFER ELEVATION
3. COVER DETAILS:
FOR SHEAR WALL : FACE & SIDES = 1"
4. STOCK LENGTH USED IS 30'-0"

FOR APPROVAL